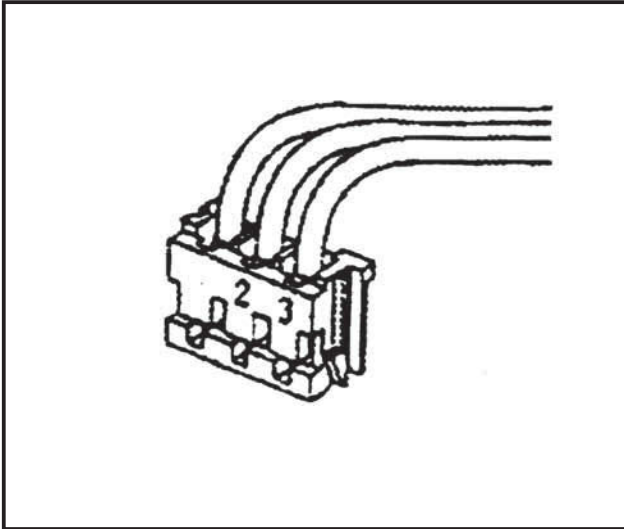


Figure



Descriptions

- Operation other than ON/OFF (adjustment of temperature, fan speed, and air direction, for example) can be performed even when remote controller operation is prohibited.

Applicable Models

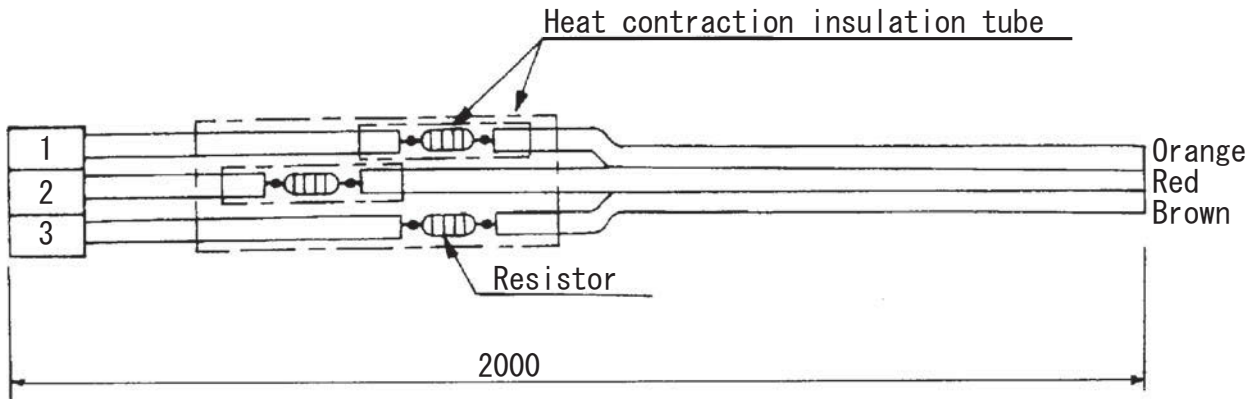
- SLZ-KA VA(L)
- SEZ-KD VA(L)
- PLA-RP BA(2)(3)
- PEA-RP200/250GA
- PKA-RP HAL/KAL
- PCA-RP KA/HA
- PEAD-RP JA(L)
- PSA-RP GA

Specifications

Function	ON/OFF by external signal External signal ON (remote control disabled) / OFF (remote control enabled) switchable
Input signal	No-voltage contact (ON/OFF level signal)
Connector	3P (connected to CN32 on outdoor unit control board)
Cable type	3-wire cable, for extension: Sheathed vinyl cord or cable (0.5 to 1.25mm ²)
Cable length	2m (max. 10m when extended locally)

Dimensions

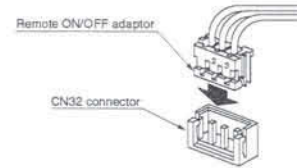
Unit : mm



How to Use / How to Install

1 Connecting to the Indoor Unit

1. Connect to the connector CN32 on the indoor controller board.
2. Press the connector for the remote ON/OFF adaptor into the CN32 connector.
The connector can only be connected in one direction only. Do not force the connection.



2 Locally Procured Wiring

With the remote ON/OFF adaptor, variations of connection method with the locally installed circuit will provide different types of operating configurations.

Example: External timer operation, remote control operation

1. Basic Connection Method

SW1 - Operating switch

Performs operation/stopping of indoor unit.

SW2 - Selecting switch

For selecting whether the operation/stopping is to be performed by external circuit or remote control.*

* Also includes system controller (central controller).

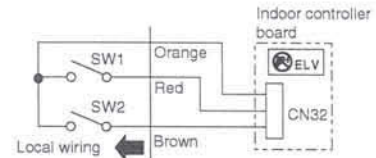
2. Switch Settings (Refer to table at right for details.)

SW2 - If on.

- Operation/stopping cannot be controlled from remote controller.
- Other operations (such as temperature settings and changing fan speed) can be performed.
- Operation/stopping can be performed by SW1.

SW2 - If off.

- Operations can be performed from remote controller.
- Operation/stopping cannot be performed by SW1.

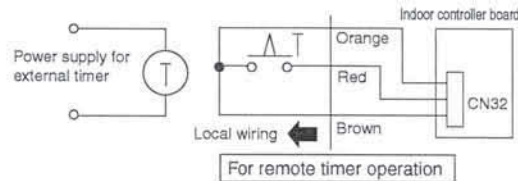
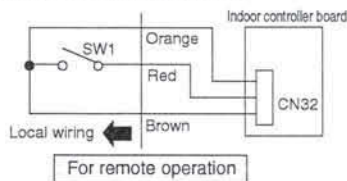


		SW2	
		ON	OFF
Remote controller	ON	Cannot perform operation/stopping	Can perform operation/stopping
	OFF	Operation	Cannot perform operation/stopping

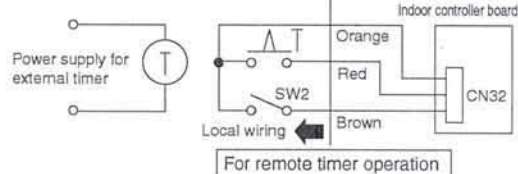
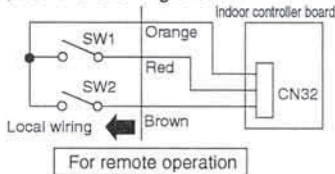
3 Examples of Usage

In either case, there is a 5 to 6 second delay from the time when the operating command is sent until the unit operates.

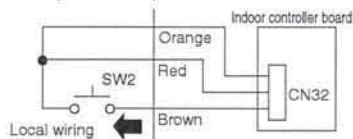
1. To perform operation/stopping by only remote operation or external timer and to prohibit operation/stopping by the remote controller, use the following circuits.



2. To perform operation/stopping by remote operation or external timer and allow operation/stopping by the remote controller, use the following circuits.

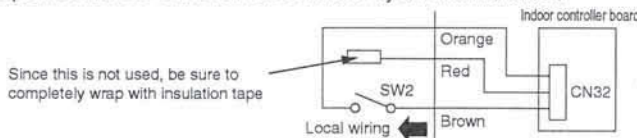


3. To start operation by remote operation and then freely use remote controller, use the following circuit.



Use a momentary switch (a switch that is turned on manually and turns off automatically) for SW2. Press SW2 (for 1 second or more) and the operation starts. After this, the remote controller can be used for operations.

4. To permit/prohibit the use of the remote controller by an external circuit.



4 Wiring Restrictions

Keep the length of wire from the circuit board of the indoor unit within 10 meters. Excessive length could cause improper operation.

Use a transit relay when extending wiring such as remote wiring.

